

# SEWER EQUIPMENT CO. of AMERICA

SEWER EQUIPMENT  
CO. of AMERICA



# 900 ECO

## COMBINATION SEWER CLEANER



# BEST PRODUCTS, BEST LOCAL SUPPORT



## 900<sub>ECO</sub> Truck

Sewer Equipment Co. of America's Model 900 ECO Combination Sewer Cleaner utilizes proven technologies to deliver a machine with simplicity that is unequalled in the industry. As with our leading 747 ECO trailer jet and 800-HPR ECO truck jet, the Model 900 ECO operating platform offers the best in class fuel efficiency and noise reduction for operator safety. Sewer Equipment: Best Products, Best Local Support.



Life used to be so simple, and chances are, so was your combination truck. All indicators are that times have changed in the equipment market, and users are being forced to accept increased complexity when they purchase a new piece of equipment. Operators, mechanics and supervisors are left wondering what happened to their old truck that was so easy to operate and maintain.

At Sewer Equipment, we have been wondering the same thing. Does integrating CAN Bus communication systems, touch screen interfaces and computer controlled logic result in increased productivity, cost effectiveness, operator satisfaction, reliability, longevity or safety? In talking to most owners, the answer is an emphatic, "NO!"

Introducing the Sewer Equipment Co. of America Model 900 ECO, a machine that puts safety, simplicity and reliability back into your work day. How do we do it?

It starts with our patented "Hydro Drive" powertrain system, which powers the pump, the blower and the auxiliary hydraulic systems. When you are ready to work, simply put the truck in neutral, apply the parking brake and exit the cab. The truck remains in neutral and power is taken directly from the chassis engine, assuring operator safety during operation, as there is no transfer case to slip into gear.

We have made the operator interface as easy as 1-2-3-4. An operator must flip a switch to put the truck into "Work Mode" and from there you can engage switches for the water pump, blower and throttle. No special sequence, that's it!

The simplicity continues as our unit is also controlled via 12 volt switches, relays and solenoids, as well as manual hydraulic controls. Operators can be trained to safely operate the truck in minutes, not days or weeks. Mechanics can perform diagnostic analysis with a simple test light and a hydraulic pressure gauge, no laptop with special programs required.

The Model 900 ECO also operates at 35% lower RPM than the competition, consuming considerably less fuel than traditional designs, adding to your bottom line each year. Perhaps more importantly, lower RPM's equate to less noise emission. Complaints from residents are minimized, and operators enjoy a higher level of safety when they can hear each other and the traffic around them.

So, why has equipment become so complex? Most manufacturers in the sewer cleaning industry have chosen to use CAN Bus communication to control functions via ECU's (Electronic Control Units) on their units. In theory, this technology promises ease of operation and troubleshooting, as well as increased efficiency and productivity. However, in reality, operators are faced with a truck that requires navigation of control menus to perform simple functions, and a truck that mechanics cannot diagnose without specialized training and a laptop equipped with the proper diagnostics program. All things combined, the claim of increased efficiency and productivity quickly dissolves.

Whether you choose your next combination truck based on productivity, reliability, safety, overall value, ease of operation, ease of maintenance or any combination of these traits, the choice is simple: the Model 900 ECO.



# TOLL FREE: 800.323.1604



# MODEL 900



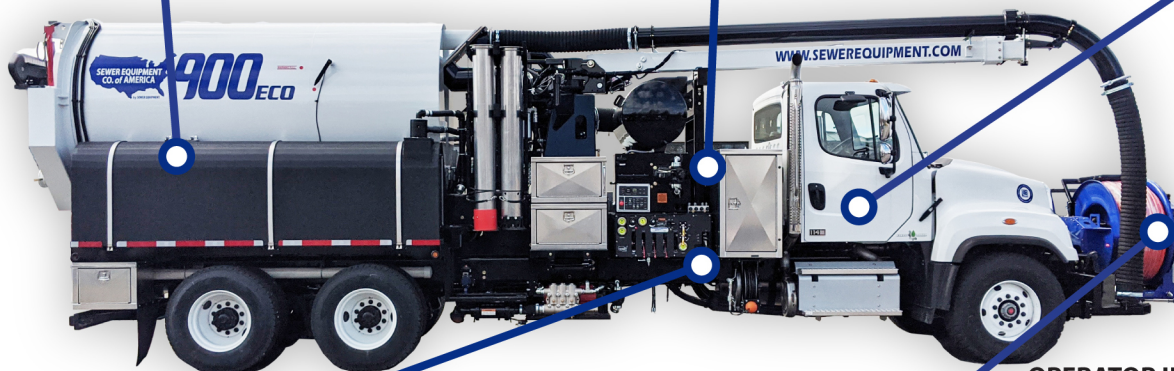
**WATER TANK PROFILE:** Exclusive Duraprolene™ construction offers 100% immunity to corrosion and dents for unparalleled service life and eliminates the need for draining during storage. The fully baffled construction eliminates sloshing and allows safe travel while full, or partially full of water.



**POWERTRAIN:** The most advanced powertrain in the industry, our exclusive "Hydro Drive" powertrain system takes all required power directly from the chassis engine. There is no need for an auxiliary engine, and unlike most other designs, our truck remains in neutral while in work mode, increasing operator peace of mind and safety, as no transfer case is needed.



**START UP:** Operator simplicity begins in the cab. Simply put the truck in neutral and engage the parking brake. That's it! All other jetting and vacuum functions are controlled from the operator interface on the hose reel.



**CHASSIS INTEGRATION:** Sewer Equipment's only interface between our module and the chassis is via the OEM throttle control port. This intentional lack of integration eliminates problems caused by CAN Bus communication issues between the chassis and module, which are typical on competitor's designs. If this seems like an insignificant detail, please ask for your fleet manager's opinion.



**OPERATOR INTERFACE:** Going to work is as simple as 1-2-3-4. Simply engage the following switches:

1. Work Mode - ON
2. Water Pump - ON
3. Blower - ON
4. Throttle - ON

You are now jetting and vacuuming. Compare this to the "rocket ship" controls of other equipment that include touch screens and digital displays. Our easy-to-use and easy-to-understand controls enhance safety and long term reliability, while making an operator's job more pleasant.

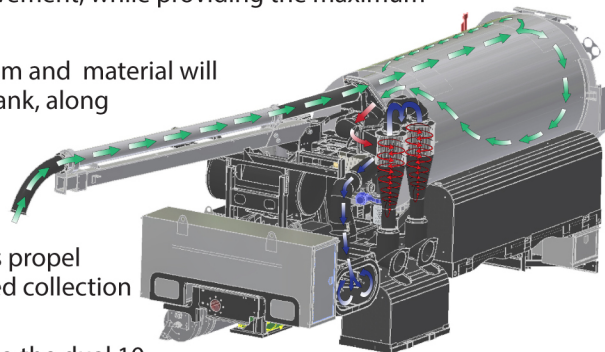
## SEWER EQUIPMENT CO. OF AMERICA Air Flow System

The air system is the secret behind our industry leading performance. Our air system is designed to deliver industry leading air movement, while providing the maximum protection for your blower.

The first stage in the air system is the debris tank. Air will enter through the boom and material will impact the deflector plate and start to drop into the tank. The air entering the tank, along with the material, is routed from the single 8" entry point to dual 10" exit points located at each side of the entry. Thus slowing down the air flow and improving material separation.

The second stage of the air system takes the air from the tank and routes it into our cyclone separators. At this point the cyclonic action of these separators propel any remaining material to the side walls and then down into an easily maintained collection box.

In the final stage of the air system, the air moves from the cyclone separators into the dual 10 micron final filters. These washable filters will capture any remaining fine particles still in the air stream before allowing the air to pass through the positive displacement blower.





# MODEL 900 ECO COMBINATION TRUCK

Water System	Truck	Hose Reel & Hose
Cold Weather Recirculation System	S	Air Purge Winterization System
2.5" Hydrant Fill System	S	Tow Hooks (2)
Air Purge Valve	S	Combination Heavy Duty/Ball Pintle Hitch
Variable Volume Delivery	S	Central Lubrication System
Low Water Warning Light	S	Hydraulic Tool Circuit via Hydraulic
Analog Pressure Display	S	Diverter Valve
Front and Rear Hand Gun Ports	S	<b>Debris Tank &amp; Rear Door</b>
Fill Hose Storage Rack	O	6 Cubic Yard Capacity
Standard Hydro Excavation Cleaning Kit	O	9 Cubic Yard Capacity
Cold Weather Hydro Excavation Cleaning Kit	O	12 Cubic Yard Capacity
2" Y-Strainer on Inlet Fill System	O	15 Cubic Yard Capacity
Anti-Freeze System	O	Debris Level Indicator
<b>Water Pumps</b>		Hydraulic Dump, 50 Degree Dump Angle
Triplex <b>Plunger</b> Water Pump w/ 30 Minute Run-Dry: 65 GPM @ 2000 PSI Performance	S	Dual Ported Rear Door w/ Knife Valve
Triplex <b>Plunger</b> Water Pump w/ 30 Minute Run-Dry: 80 GPM @ 2000 PSI	O	Dump Height 60"
Triplex <b>Plunger</b> Water Pump w/ 30 Minute Run-Dry: 55 GPM @ 2000 PSI	O	Hydraulic Open/Close/Lock Door
Single Piston 65 GPM @ 2500 PSI Water Pump	O	Debris Body Pump Off System
Single Piston 80 GPM @ 2500 PSI Water Pump	O	Debris Liquid Level Audible Alarm
Accumulator for Single Piston Pump	O	Additional 6" Knife Valve on Rear Door
<b>Water Tanks</b>		Complete with Inlet Strainer
Black Duraprolene Water Tank Construction	S	Decant Screen on Rear Door
Base 600 Gallon Capacity Water Tank <b>6 Yard</b>	S	Debris Inlet Water Misting System
Base 900 Gallon Capacity Water Tank <b>9 Yard</b>	S	Positive Pressure Decant System
Base 1300 Gallon Black Duraprolene Water Tank ( <b>debris box saddle</b> ) <b>12 Yard</b>	S	<b>Boom</b>
Base 1500 Gallon Black Duraprolene Water Tank ( <b>debris box saddle</b> ) <b>15 Yard</b>	S	Hydraulic Powered Boom
Additional 200 Gallon Duraprolene Water Tank ( <b>driver side rail</b> )	O	180 Degree Working Radius
Additional 150 Gallons Duraprolene Water Tank ( <b>between rails</b> ) <b>9 Yard</b>	O	10' Extendable Design
Additional 200 Gallons Duraprolene Water Tank ( <b>between rails</b> ) <b>12 Yard</b>	O	70 Degree Steel Elbow
Additional 250 Gallons Duraprolene Water Tank ( <b>between rails</b> ) <b>15 Yard</b>	O	Telescoping Boom System
Upgrade Duraprolene Water Tank From 7yr to 10yr Warranty	O	<b>Vacuum System</b>
Water Tank Low Level Audible	O	4400 CFM Blower
<b>Manual &amp; Training</b>		8" Vacuum Hose System
(1) Paper Owner's Manual	S	18" Hg Vacuum Rating
Additional Paper Operators Manual	O	Dual Cyclone Separator
Cd-Rom Operator's Manual	O	Dual Element 10 Micron Final Filter
On-site Factory Training (1 day)	O	Variable Volume Delivery
On-site Factory Training (additional per/day)	O	Analog Vacuum Display
		Remote Vacuum Relief
		5000 CFM Blower Upgrade
		<b>Toolbox Configurations</b>
		(1) Alum Toolbox 24" x 36 x 96" - Behind Cab
		(2) Alum Toolbox 18" x 18" x 30" - Passenger
		(2) Alum Toolbox 18" x 18 x 24" - Rear
		(1) Alum Long Handle Storage - Rear
		Additional 18" x 18" x 30" Aluminum Toolbox
		Bumper Mounted Aluminum Tool Box
		(1) 12" x 12" x 14"
		<b>Paint (Module)</b>
		Debris Tank - Boom: Standard White
		Hose Reel - Upright: Sewer Blue
		All Other Colors ( <b>all colors except metallics</b> )
		Front Mounted Telescoping & Rotating
		800' x 1" Capacity
		10' Leader Hose
		Single Side Controls
		Automatic Level Wind with Hydraulic Up/Down Action Hitch
		Digital "SMART COUNTER" Footage Meter
		Secondary Operators Station
		Pinch Roller
		Sewer Hose (1" I.D., 2500 PSI Operating Pressure) Per Ft
		Sewer Hose (3/4" I.D., 3000 PSI Operating Pressure) Per Ft
		25' x 1" Leader Hose
		1000' x 1" Reel Capacity Upgrade
		<b>Electrical</b>
		NEMA 4 Control Panel
		Hour Meter (Blower & Water Pump)
		Military Spec. Sealed Switches
		Wireless Remote Control Pendant
		Wired Remote Control Pendant W/35' Cord
		Enhanced Visibility Camera System
		LED Rotating Beacon
		LED Strobe Light
		LED Arrow Board
		LED Arrow Stick
		LED Panel Mounted Work Light
		LED Manhole Area Work Light
		LED Curbside Body Mounted Work Light
		LED Boom Mounted Work Lights (2)
		LED Rear Mounted Work Lights (2)
		LED Handheld Wireless 12v/110 Rechargeable
		<b>Accessories</b>
		(3) 8" X 6' Extension Tubes
		(1) 8" X 4' Extension Tubes
		(1) 6" X 10' Lay Flat Hose"
		(1) 8" X 6' Crowned Suction Nozzle
		(5) Quick Clamps
		BB Hose Guide
		Toolbox Configurations
		Tri-Star (chisel point) nozzle
		DD (high flow) nozzle
		Finned Nozzle Extension
		Nozzle Rack
		25' Fill Hose
		Upstream Pulley Guide
		Wash down gun w/ 25' ext. Hose
		(1) Fan Nozzle (for Wash down Gun)
		(1) Hydrant Wrench
		LED D.O.T. Approved Lighting
		(6) 18" D.O.T. Safety Cones and Holder

Legend	
Standard	S
Optional	O

MODEL	DEBRIS CAPACITY	LENGTH	WIDTH	HEIGHT	MAX WATER CAPACITY	AXLE CONFIGURATION	MAX HOSE CAPACITY	HOSE SIZE	MIN HP	BOOM EXTENSION
900 ECO	6 YARD	33' 7"	8' 5"	11' 10"	800 Gallon	Single Axle	800'	3/4" - 1"	370 HP	10'
	9 YARD	35' 7"	8' 5"	11' 10"	1350 Gallon	Single Axle	800'	3/4" - 1"	370 HP	10'
	12 YARD	38' 7"	8' 5"	11' 10"	1700 Gallon	Tandem Axle	800'	3/4" - 1"	370 HP	10'
	15 YARD	41' 7"	8' 5"	11' 10"	1950 Gallon	Tridem or Tandem w/ Pusher Axle	800'	3/4" - 1"	370 HP	10'

Part No. 92942-00-X, revised 06/2020  
 Contents are copyrighted by Sewer Equipment Company of America

Products subject to change without notification.  
 Actual products may not be an exact match to product as shown.

**800.323.1604**  
**www.sewerequipment.com**

